

BENELLI

SHOTGUN TRAINING

Equipment Familiarization and General Information



HWK

In a world of compromise, some don't.

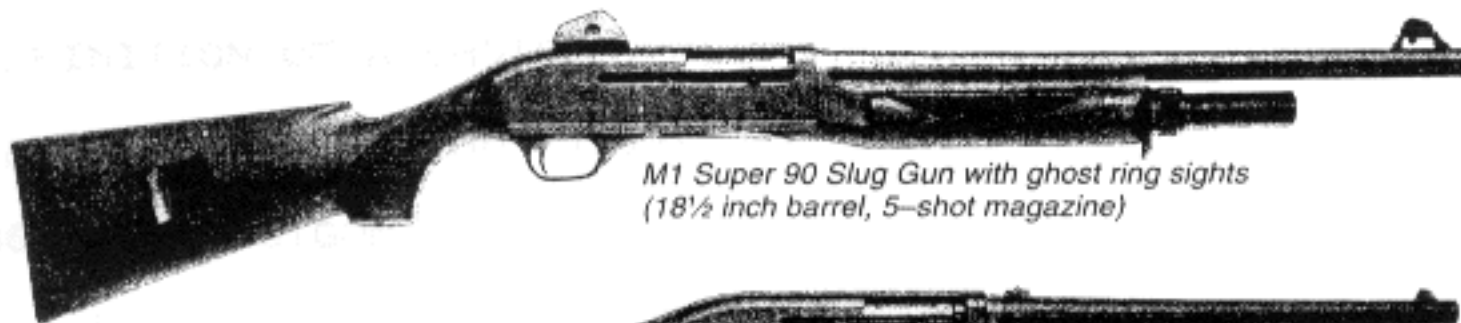
M1 SUPER 90 SHOTGUNS



M1 Super 90 Slug Gun (18½ inch barrel, 5-shot magazine)



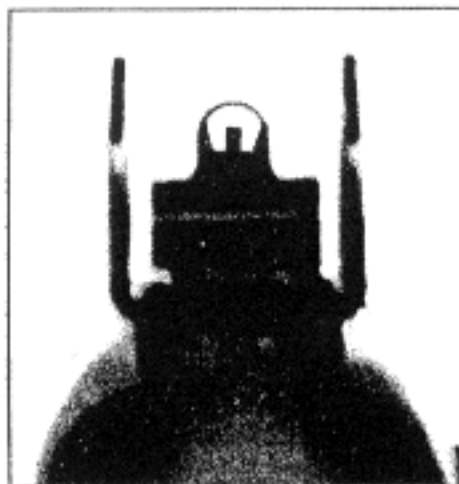
M1 Super 90 Defense (18½ inch barrel, 5-shot magazine)



*M1 Super 90 Slug Gun with ghost ring sights
(18½ inch barrel, 5-shot magazine)*



*M1 Super 90 Entry Gun (14 inch barrel, 5-shot magazine)
special licensing required*



HK GHOST RING SIGHTS

Benelli M1 and M3 shotguns are available with a specially designed ghost ring sighting system. The ghost ring sighting system enables a shooter to keep both eyes open while focusing on the front sight.

The rear sight becomes a softly focused "ghost ring" image to the shooter. This innovative sighting system ensures fast and effective target acquisition. The ghost ring sighting system is currently being used by many law enforcement agencies and military units. Tritium sights are available as an optional accessory for all M1 & M3 shotguns fitted with ghost ring sights, including the 18½ inch barrel variants.

I. INTRODUCTION:

- A. INTRODUCE MEMBERS OF STAFF.
- B. HAVE STUDENTS INTRODUCE THEMSELVES.

II. GOAL

EACH STUDENT SHOULD BE INSTRUCTED IN THE CORRECT NOMENCLATURE, OPERATION AND HANDLING OF THE LAW ENFORCEMENT MI AND M3 SHOTGUN. EACH STUDENT SHOULD BE GIVEN THE OPPORTUNITY TO FIRE THE SHOTGUN.

III. OBJECTIVE

STUDENT WILL DEVELOP BASIC TRAINING EXPERIENCE, WHICH WILL ALLOW INDIVIDUAL SKILL DEVELOPMENT.

IV. SAFETY

V. DEFINITION OF A SHOTGUN

VI. LAW ENFORCEMENT AND MILITARY USE OF THE SHOTGUN

VII. BENELLI SHOTGUN INTRODUCTION

VIII. THE BENELLI SHOTGUN SYSTEM

IX. NOMONCLATURE

X. FIELD STRIP

XI. BENELLI MI SUPER 90 ASSEMBLY

XII. BOLT DISASSEMBLY \ REASSEMBLY

XIII. LOADING

XIV. COMBAT LOADING

XV. REPLACING THE CARTRIDGE IN THE CHAMBER

XVI. UNLOADING FROM THE MAGAZINE

XVII. GUN MOUNT

XVIII. SHOOTING POSITIONS

- XIX. SLING CARRY POSITION
- XX. SHOTGUN AMMUNITION
- XXI. AMMUNITION MANAGEMENT
- XXII. MAINTENANCE \ STORAGE
- XXIII. CLOSING
- XXIV. RANGE SAFETY

IV. SAFETY - YOUR PRIMARY RESPONSIBILITY!

YOUR FIRST RESPONSIBILITY WHEN HANDLING ANY FIREARM IS TO KNOW IF IT IS LOADED OR UNLOADED. ALWAYS POINT THE FIREARM IN A SAFE DIRECTION, REGARDLESS OF WHETHER THE FIREARM IS LOADED OR UNLOADED.

A. SAFETY WITH FIREARMS.

1. ALL FIREARMS ARE ALWAYS LOADED.
2. NEVER LET THE MUZZLE COVER ANYTHING YOU ARE NOT WILLING TO DESTROY.
3. KEEP YOUR FINGER OFF THE TRIGGER UNTIL YOUR SIGHTS ARE ON THE TARGET.
4. BE SURE OF YOUR TARGET AND WHAT IS BEYOND IT.

B. CHECK EACH WEAPON YOURSELF!

1. NO MATTER HOW MANY TIMES YOU HANDLE IT, EVEN THOUGH YOU HAVE CLEARED IT BEFORE OR SOMEONE ELSE HAS HANDLED IT OR CHECKED IT.
2. DO NOT RELY ON SOMEONE ELSE! OR YOUR MEMORY. CHECK IT AGAIN! ALWAYS CONSIDER A WEAPON LOADED UNTIL YOU PERSONALLY, PHYSICALLY AND VISUALLY CHECK IT.

C. WEAPONS CHECK.

1. SAFETY IN THE SAFE OR ON POSITION.
2. ACTION OPEN.
3. VISUALLY AND PHYSICALLY CHECK CHAMBER AND MAGAZINE FOR AMMO.
4. MUZZLE POINTED IN A SAFE DIRECTION AT ALL TIMES.
5. FINGER OUT OF TRIGGER GUARD UNLESS YOU ARE GOING TO SHOOT.

V. DEFINITION OF A SHOTGUN.

THE SHOTGUN DIFFERS FROM OTHER FORMS OF FIREARMS. IN THAT IT FIRES A NUMBER OF PROJECTILES CALLED SHOT, INSTEAD OF A SINGLE PROJECTILE. ONCE THEY ARE FIRED FROM THE WEAPON, THESE PROJECTILES START SPREADING OUT. THE AREA COVERED BY THE SHOT PELLETS IS CALLED THE PATTERN. THE SIZE OF THE PATTERN IS DETERMINED BY THE SIZE OF THE SHOT, DISTANCE AND CHOKE OF THE RESPECTIVE SHOTGUN. A RULE OF THUMB ON THE SIZE OF THE PATTERN OF A POLICE SHOTGUN IS, FOR EVERY YARD OF DISTANCE THE PATTERN GROWS ONE INCH IN DIAMETER. AS AN EXAMPLE, 40 YARDS DISTANCE EQUALS A 40" CIRCULAR PATTERN. THE AREA COVERED BY THE SHOTGUN'S PATTERN IS, THEREFORE, CONSIDERABLY LARGER THAN THE SINGLE PROJECTILE FIRED FROM A RIFLE OR HANDGUN. CONSEQUENTLY, SHOTGUNS ARE GENERALLY THE CHOICE FOR MOVING TARGETS AND ARE EASIER TO LEARN TO HIT WITH.

VI. LAW ENFORCEMENT AND MILITARY USE OF THE SHOTGUN.

- A. OVER THE YEARS THE USE OF THE SHOTGUN HAS INCREASED BOTH IN LAW ENFORCEMENT AND IN THE MILITARY.
- B. WHEN PROPERLY LOADED, THE SHOTGUN IS THE APPROPRIATE WEAPON FOR A VARIETY OF SITUATIONS.
- C. THE SHOTGUN IS A TRIPLE-THREAT WEAPON. IT CAN BE USED AS A SHOTGUN, RIFLE OR TEAR GAS DELIVERY SYSTEM. THESE ADVANTAGES ARE NOT AVAILABLE IN ANY OTHER WEAPON.
- D. THE SPREAD OF THE SHOT PATTERN ENHANCES THE SHOOTER'S ABILITY TO HIT WITH A SINGLE SHOT.
- E. TRAINING NOVICE SHOOTERS TO THE POINT OF COMPETENT USE IS MORE READILY ACCOMPLISHED WITH THE SHOTGUN THAN MOST OTHER WEAPONS.
- F. SHOTGUNS ARE COMPARATIVELY INEXPENSIVE AND HAVE LONG LIFE. COMPARED TO THE COST OF OTHER SPECIALTY WEAPONS, SUCH AS MACHINE PISTOLS, THE SHOTGUN IS RELATIVE INEXPENSIVE.
- G. PSYCHOLOGICAL VALUE IN CRITICAL SITUATIONS, THE OFFICER'S SHOTGUN IS A SYMBOL OF POWER AND AUTHORITY, THE SHOTGUN ADDS CONFIDENCE TO THE OFFICER.
- H. THE CRIMINAL SUFFERS A CONSIDERABLE LACK OF CONFIDENCE WITH THE APPEARANCE OF A SHOTGUN - ARMED OFFICER.
- I. THE SHOTGUN IS USED BY BOTH LAW ENFORCEMENT AND MILITARY ALL OVER THE FREE WORLD.

VII. BENELLI SHOTGUN INTRODUCTION

- A. HECKLER & KOCH, INC. (U.S.A.) IS THE SOLE IMPORTER OF THE BENELLI SHOTGUN LINE INTO THE U.S.A. THE BENELLI LINE IS MARKETED THROUGH THE SAME CHANNELS OF DISTRIBUTION AS OTHER HK FIREARMS.

- B. ALTHOUGH THERE ARE NUMEROUS VARIATIONS OF BENELLI SHOTGUNS, WE WILL FOCUS ON THE .12 GAUGE MI SUPER 90, ITS VARIATIONS, AND THE M3 SUPER 90 PUMP/AUTO SHOTGUN FOR LAW ENFORCEMENT USE.

VIII. THE BENELLI SHOTGUN SYSTEM

NO OTHER SEMI-AUTOMATIC SHOTGUN SHOOTS LIKE A BENELLI. THE M1 SUPER 90 BENELLI CAN BOAST OF UNSURPASSED RELIABILITY, SPEED (THE ABILITY TO FIRE FIVE SHOTS IN LESS THAN ONE SECOND - THE FIFTH SHELL IS EJECTED BEFORE THE FIRST SHELL HITS THE GROUND), EASE OF OPERATION, DISASSEMBLY, AND MAINTENANCE DUE TO THE REVOLUTIONARY ROTARY LOCKING BOLT HEAD DESIGN. RELIABILITY, SPEED AND VERSATILITY ARE CHARACTERISTICS OF ALL BENELLI SHOTGUNS.

THE BENELLI M1 SUPER 90 SHOTGUN OPERATES WITH AN INERTIA RECOIL, SPRING-ACTUATED ACTION, WHICH INCLUDES THE EXCLUSIVE "MONTEFELTRO" ROTATING BOLT, FEATURING TWIN LOCKING LUGS THAT LOCK INTO THE BARREL JUST LIKE A BOLT ACTION RIFLE. THIS PROVIDES A FAR STRONGER LOCKUP THAN OTHER SEMI-AUTO SHOTGUNS WHICH FEATURE A SINGLE LUG.

RECOIL OPERATED MEANS NO GAS PORTS, RINGS, LINKAGE, GAS PISTON TO COLLECT POWDER RESIDUE. NO ACTION BARS TO BREAK OR WEAR-OUT. NO "O" RINGS TO REPLACE. FAST RELIABLE FIRING AND CYCLING WITH ALL STANDARD 2 3/4" AND 3" MAGNUM LOADS.

THE ENTIRE FUNCTION OF THE SHOTGUN IS CONTAINED IN THE BOLT! WHEN THE SHOTGUN IS FIRED THE SPRING POSITIONED BETWEEN THE BOLT HEAD AND BOLT IS COMPRESSED BY THE INERTIA OF THE BOLT AS THE FIREARM BEGINS TO RECOIL. WHEN THIS SPRING IS FULLY COMPRESSED, IT OVERCOMES THE FORWARD INERTIA OF THE BOLT AND PUSHES IT TO THE REAR UNLOCKING THE BOLTS TWIN LOCKING LUGS AND EXTRACTING THE FIRED CARTRIDGE CASE RE-COCKING THE WEAPON AND CHAMBERING A FRESH ROUND. A RECOIL SPRING MOUNTED BEHIND THE BOLT FURTHER DELAYS THE OPENING OF THE ACTION UNTIL AFTER THE SHOT HAS LEFT THE BARREL. SAFE, SIMPLE AND FAST!

THE ADVANTAGE OF THE BENELLI INERTIA RECOIL SYSTEM IS SPEED, WITH VERY LITTLE INCREASE IN RECOIL DUE TO THE BOLT SYSTEM'S REVERSE ACTION TO REARWARD MOVEMENT. WHEN THE BENELLI FIRES, THE BOLT SYSTEM MOVES FORWARD, AWAY FROM FROM THE STOCK, IN ORDER TO COMPRESS ITS RECOIL SPRING WHICH HELPS TO REDUCE FELT RECOIL. THE BENELLI CAN ALSO OPERATE WITHOUT FIRM SUPPORT AND SHOOT IN ANY POSITION.

THE BENELLI IS ABOUT A POUND LIGHTER THAN A STANDARD SEMI-AUTO SHOTGUN DUE TO NO GAS CHAMBERS, PISTON AND LINKAGES.

WHILE MOST SHOTGUNS HAVE A FIXED EJECTOR THE BENELLI'S SPRING LOADED EJECTOR MEANS CONSTANT RELIABLE EJECTION WITH ALL TYPES OF 2 3/4" AND 3" LOADS.

IX. NOMENCLATURE - REFER TO HAND-OUT \ WALL CHART.

A. STOCK

1. SYNTHETIC - HIGH IMPACT POLYMER.
2. RUBBER RECOIL PAD.
3. MOLDED CHECKERING.
4. SLING SLOT MOLDED INTO CENTER OF THE BUTT.
5. DEFENSE - PISTOL GRIP BUTT STOCK.
6. REMOVE WITH A 13mm SOCKET WRENCH.

B. RECEIVER.

1. HIGH STRENGTH ALUMINUM ALLOY FOR WEIGHT AND BALANCE.
2. WILL NOT RUST AFTER HANDLING.

C. EJECTION PORT

1. LOCATION - RIGHT FRONT SIDE OF RECEIVER.
2. EXIT PORT FOR FIRED SHELLS.
3. USED FOR LOADING AND UNLOADING.

D. BOLT.

1. MONTEFELTRO ROTATING BOLT SYSTEM

A. THE ENTIRE FUNCTION OF THE WEAPON IS IN THE BOLT

B. NO TOOLS NEEDED FOR DISASSEMBLY

E. CARRIER BUTTON.

1. RELEASES BOLT.

F. REAR SIGHT.

1. RIFLE TYPE.
2. WINDAGE ADJUSTMENT ONLY, BY USE OF AN ALLEN WRENCH.
3. OPTIONAL - GHOST RING SIGHTING SYSTEM - PROVIDES QUICK TARGET ACQUISITION FOR THE SHOOTER.

G. BARREL

1. LENGTH

A. MI & M3 SLUG GUN - 19 3/4"

B. ENTRY GUN - 14"

2. CHAMBERED FOR ALL STANDARD FACTORY 2 3/4" & 3".

3. BORE IS CHROMIUM PLATED.

4. CHOKED - CYLINDER.

5. INTERCHANGEABLE WITHOUT TOOLS.

6. COLD HAMMER FORGED FOR OPTIMUM STRAIGHTNESS AND UNIFORM PATTERNS.

H. FRONT SIGHT

1. BLADE TYPE - NO ADJUSTMENT.

I. MAGAZINE TUBE

1. MI

A. 7-ROUND FULL PIECE TUBE - SLUG GUN.

B. 3-ROUND FULL PIECE TUBE - FIELD GUN.

C. 4-ROUND EXTENSION KIT
(CONVERTS MI W\3 ROUND MAG. TO 7-ROUND).

D. 2-ROUND EXTENSION KIT
(CONVERTS MI W\3 ROUND MAG. TO 5-ROUNDS FOR
ENTRY GUN).

2. M3

A. 7-ROUND TUBE ONLY.

J. BARREL BAND

1. BARREL - MAGAZINE RETAINING RING.

2. SCREW CAN BE LOOSENED WITH A KEY OR COIN.

K. RING

1. SWIVEL RING - FRONT SWIVEL ATTACHMENT.
2. 3-POSITIONS

L. FOREARM

1. SYNTHETIC - HIGH IMPACT POLYMER.
2. MOLDED CHECKERING.
3. LASER PRODUCTS, TACTICAL LIGHT REPLACEMENT FOREARM - MODEL 616.

M. LOADING PORT

1. LOCATION - BOTTOM FRONT OF RECEIVER.
2. USED FOR LOADING AND UNLOADING MAGAZINE.
3. EASY TO LOAD OR UNLOAD DUE TO "FREE" CARRIER.
4. INSTANT VISUAL CHECK OF MAGAZINE.

N. CARRIER

1. THE CARRIER RECEIVES A LIVE ROUND FROM THE MAGAZINE LEVEL OF THE RECEIVER AND AS THE BOLT TRAVELS FORWARD THE CARRIER RISES AUTOMATICALLY TO POSITION THE CARTRIDGE FOR INTRODUCTION INTO THE CHAMBER BY THE BOLT.
2. HAS TO BE IN "FREE" MODE TO LOAD OR UNLOAD MAGAZINE.

O. CARTRIDGE DROP LEVER

1. LOCATION - THE END OF THE CARTRIDGE DROP LEVER PROTRUDES FROM THE RIGHT SIDE OF THE RECEIVER, ABOVE THE TRIGGER, AND IS MARKED WITH A RED DOT. WHEN THE DOT IS VISIBLE, THE HAMMER IS COCKED AND THE WEAPON IS READY TO FIRE.
2. THE RED DOT ON THE CARTRIDGE DROP LEVER, WHEN VISIBLE, INDICATES THE CARRIER IS "FREE" AND THE MAGAZINE CAN BE LOADED.
3. IF THE CARTRIDGE DROP LEVER IS DEPRESSED BEFORE LOADING THE CARRIER LOOSES IT'S "FREE" STATUS.
4. TO FREE THE CARRIER ON A COCKED WEAPON SIMPLY DEPRESS THE CARRIER LATCH BUTTON AND LOAD NORMALLY.
5. ON AN UN-COCKED WEAPON, PULL BOLT TO THE REAR AND RELEASE IT, COCKING THE WEAPON.
6. WHEN DEPRESSED THE CARTRIDGE DROP LEVER RELEASES A SHELL FROM THE MAGAZINE ON A LOADED WEAPON.
7. ON AN UNLOADED WEAPON, THE CARTRIDGE DROP LEVER HAS TO BE DEPRESSED TO LOCK THE BOLT TO THE REAR.

P. SAFETY

1. CROSS BOLT TYPE LOCATED AT THE REAR OF THE TRIGGER.
2. APPLY THE SAFETY CATCH BY MOVING THE SAFETY BUTTON ON THE TRIGGER GUARD TO THE LEFT UNTIL THE RED PART OF THE BUTTON, WHICH INDICATES THE FIRING POSITION, IS NO LONGER VISIBLE.

Q. SWIVEL PLATE

1. REAR SLING ATTACHMENT.

X. FIELD STRIP THE BENELLI MI SUPER 90.

- A. ENGAGE THE SAFETY
- B. LOCK BOLT TO THE REAR.
- C. VISUALLY AND PHYSICALLY CHECK THE CHAMBER AND MAGAZINE.
- D. REMOVE THE BARREL-MAGAZINE TUBE RETAINING RING.
- E. UNSCREW THE FORE END CAP AND REMOVE FROM MAGAZINE TUBE TOGETHER WITH THE STRAP SWIVEL.
- F. REMOVE BARREL AND FOREARM UNIT FROM MAGAZINE TUBE.
- G. DEPRESS CARRIER LATCH AND LET BOLT GO FORWARD SLOWLY.
- H. REMOVE COCKING LEVER (BOLT HANDLE) FROM BOLT.
- I. TIP RECEIVER FORWARD TO ALLOW THE BOLT TO SLIDE OUT OF THE RECEIVER.
- J. REMOVE TRIGGER GUARD PIN.
- K. REMOVE TRIGGER GUARD.

XI. BENELLI M1 SUPER 90 ASSEMBLY

- A. DEPRESS THE CARRIER BUTTON AND INSERT TRIGGER GROUP WITH THE HAMMER COCKED.
- B. INSERT TRIGGER GUARD PIN.
- C. HOLD RECEIVER AT A 45 DEGREE ANGLE AND INSERT BOLT ASSEMBLY. NOTE: INSURE BOLT LINK ENGAGES WITH RECOIL SPRING PLUNGER BY DEPRESSING BOLT TO THE REAR. IF THE BOLT DOES NOT MOVE REPOSITION BOLT UNTIL BOLT MOVES TO THE REAR FREELY.
- D. INSTALL BOLT HANDLE INTO BOLT.
- E. INSTALL THE PLAIN WASHER AND LOCK WASHER IN THEIR CORRECT POSITIONS IN THE FOREARM. NOTE: THE FLAT WASHER MUST BE INSTALLED INTO THE FOREARM FIRST. THE SPRING WASHER SHOULD BE SANDWICHED BETWEEN THE BARREL ATTACHMENT RING AND FLAT WASHER.
- F. INSTALL FOREARM AND BARREL AS A COMPLETE UNIT.
- G. INSTALL SLING SWIVEL AND FORE END CAP AS A UNIT. NOTE: INSURE THAT SLING SWIVEL CAN MOVE ON ITS SEAT AFTER THE FORE END CAP IS TIGHTENED.
- H. INSTALL BARREL-MAGAZINE TUBE RETAINING RING IN PROPER LOCATION INDICATED BY INDENTION IN MAGAZINE TUBE.
- I. CHECK FUNCTIONING OF WEAPON.

XII. BENELLI M1 SUPER 90 BOLT - DISASSEMBLY \ REASSEMBLY

NOTE: NO TOOLS NECESSARY FOR DISASSEMBLY.

- A. REMOVE FIRING PIN RETAINING PIN TAKING CARE TO HOLD IN THE FIRING PIN SO THAT IT IS NOT EXPELLED BY THE FIRING PIN SPRING.
- B. REMOVE THE FIRING PIN AND THE FIRING PIN SPRING FROM THE BOLT. NOTE: FIRING PIN CAN BE USED AS PUNCH TO REMOVE TRIGGER GUARD PIN IN FIELD STRIPPING.
- C. REMOVE THE LOCKING HEAD PIN FROM ITS SEAT.
NOTE: THE REFERENCE LINE ON TOP OF THE PIN WHICH IS USED IN REASSEMBLY.
- D. REMOVE THE BOLT LOCKING HEAD FROM THE BOLT.
- E. REMOVE THE INERTIA SPRING (RECOIL SPRING) FROM ITS SEAT.
- F. REASSEMBLE IN REVERSE ORDER.

NOTE: IF THE FIRING PIN AND RETAINING PIN ARE CORRECTLY INSTALLED, THE FIRING PIN WILL BE VISIBLE. RETAINING PIN SHOULD NOT BE INSTALLED BEHIND FIRING PIN.

XIII. LOADING .

THE UNIQUE BENELLI LOADING SYSTEM FEATURES A FREE CARRIER THAT ALLOWS THE MAGAZINE TO BE LOADED ONE HANDED. NO BUTTONS TO PUSH.

LOAD THE MAGAZINE THEN THE CHAMBER OR LOAD THE CHAMBER THEN THE MAGAZINE.

LOAD THE MAGAZINE THEN DEPRESS THE CARTRIDGE RELEASE LEVER TO PLACE A CARTRIDGE ON THE CARRIER FOR CYCLING INTO THE CHAMBER.

ON MOST SEMI-AUTOMATIC SHOTGUNS A SHELL IS RELEASED FROM THE MAGAZINE AND CHAMBERED WHEN EVER THE BOLT IS MOVED REARWARD. THIS MEANS TO CHANGE A SHELL IN THE CHAMBER YOU MUST MANUALLY UNLOAD THE ENTIRE MAGAZINE.

THIS MEANS YOU CAN SAFELY UNLOAD THE CHAMBER OR REPLACE THE SHELL IN THE CHAMBER WITH A DIFFERENT TYPE OF LOAD.

YOU CAN CARRY THE SHOTGUN WITH A LOADED MAGAZINE A SHELL ON THE CARRIER AND EMPTY CHAMBER. JUST WORKING THE BOLT LOADS THE CHAMBER.

IF THE CHAMBER IS LOADED AND A SHELL IS ALREADY ON THE CARRIER, THE SHOTGUN STILL FUNCTIONS FLAWLESSLY.

DURING RELOADING A SHELL SLIPS OFF THE SHOOTERS THUMB WHEN LOADING THE MAGAZINE THE SITUATION WILL JAM MOST SHOTGUNS, BUT NOT THE BENELLI.

WHEN THE TRIGGER IS PULLED THE MAGAZINE AUTOMATICALLY RELEASES A SHELL ONTO THE CARRIER FOR LOADING.

THIS MEANS A SHELL IS ALREADY IN POSITION ON THE CARRIER BEFORE THE FIRED SHELL IS EVEN EJECTED. "ONE STEP AHEAD OF OUR COMPETITION".

NOTE: IF THE ACTION IS NOT COMPLETELY CLOSED (BOLT FORWARD) WHEN TRYING TO LOAD THE MAGAZINE, THE SHELL WILL JAM.

XIV. COMBAT LOADING - LOAD WHAT YOU SHOOT!

FROM THE SHOULDER OR READY POSITION POINT THE WEAPON AT THE TARGET AT ALL TIMES. WITH THE WEAK HAND, LOCATING THE LOADING PORT IN FRONT OF THE TRIGGER GUARD, INSERT ROUND INTO PORT, PUSHING IT INTO THE MAGAZINE WITH THE THUMB, WITHOUT REMOVING YOUR EYES FROM THE TARGET.

XV. REPLACING THE CARTRIDGE IN THE CHAMBER

A. MANUAL REPLACEMENT

1. TO REPLACE THE CARTRIDGE IN THE CHAMBER, ENGAGE THE SAFETY CATCH AND PULL THE BOLT TO THE REAR.
2. THE CARTRIDGE IN THE CHAMBER IS EXTRACTED AND EJECTED FROM THE WEAPON. INSERT A NEW CARTRIDGE IN THE EJECTION PORT AND RELEASE THE BOLT.
3. THE BOLT WILL PUSH THE NEW CARTRIDGE IN THE CHAMBER AND STOP IN THE CLOSED POSITION.
4. THE ABILITY TO REMOVE OR REPLACE A SHELL IN THE CHAMBER WITHOUT EMPTYING THE ENTIRE MAGAZINE GIVES THE M1 UNMATCHED TACTICAL FLEXIBILITY.

26. 037-170A+

XVI. UNLOADING - FROM THE MAGAZINE

- A. ENGAGE SAFETY
- B. LOCK BOLT TO THE REAR.
- C. VISUALLY AND PHYSICALLY CHECK THE CHAMBER.
- D. RELEASE BOLT ON AN EMPTY CHAMBER
- E. OVERTURN THE WEAPON AND PUSHING THE CARRIER DOWN, PRESS THE FRONT OF THE CARRIER LATCH WITH THE INDEX FINGER OF YOUR RIGHT HAND.
- F. THE CARTRIDGES WILL BE RELEASED ONE BY ONE INTO YOUR HAND. THE CARRIER LATCH MUST BE PRESSED FOR EACH RELEASED CARTRIDGE.
- G. NOTE: INSURE THE PRIMER OF EACH CARTRIDGE IS PROTECTED AS THEY ARE RELEASED FROM THE MAGAZINE.

XVII. GUN MOUNT

- A. BUTT OF THE STOCK PLACED INTO HOLLOW OF SHOULDER OF STRONG HAND. HOLLOW OF SHOULDER IS FORMED BY RAISING STRONG ARM HORIZONTAL TO SHOULDER GRASPING WEAPON BY PISTOL GRIP.
- B. WEAK HAND - GRASP FOREARM.
- C. SAFETY IS MOVED TO THE OFF POSITION AND TRIGGER FINGER PLACED ON TRIGGER AS YOU MOUNT WEAPON TO FIRE AND NOT BEFORE.
- D. SIGHT ALIGNMENT.
- E. WEAPON IS FIRED AS SOON AS THE STOCK IS IN POSITION.

XVIII. SHOOTING POSITIONS

A. NORMAL SHOOTING POSITIONS

1. STANDING - SHOULDER
2. STANDING - HIP
3. KNEELING

B. DEFENSIVE SHOOTING POSITIONS

1. GUN READY POSITION - MUZZLE UP \ OUTDOOR CARRY

- A. BUTT STOCK ABOUT WAIST LEVEL.
- B. FOREARM OF STRONG HAND LAYS ALONG SIDE OF THE BUTT STOCK.
- C. WEAK HAND GRIPS THE FOREARM OF THE SHOTGUN.
- D. FRONT SIGHT OF THE SHOTGUN IS BROUGHT UP IN A DIRECT LINE BETWEEN THE EYES AND TARGET.

1. EYES

2. MUZZLE \ SIGHT

3. TARGET

E. EYES AND MUZZLE OF THE WEAPON MOVE IN UNISON.

2. GUN READY POSITION - MUZZLE DOWN \ INDOOR CARRY

A. BRING BUTT STOCK TO SHOULDER IN NORMAL MANNER.

B. STRONG HAND ON PISTOL GRIP

C. WEAK HAND ON FOREARM

D. MUZZLE OF THE SHOTGUN POINTING AT THE GROUND, OUTSIDE OF AND EVEN WITH THE FRONT OF WEAK FOOT.

3. MOVEMENT IN EITHER OF THESE POSITIONS WOULD BE TAKING A STEP FORWARD WITH THE WEAK FOOT BRINGING THE STRONG FOOT TO REAR AT REAR OF WEAK FOOT.

A. STEP - CLOSE - STEP

4. ADVANTAGES

A. MUZZLE CONTROL

B. MOVING IN-DOOR POSITIONS

C. DEMONSTRATE ADVANTAGES WITH STUDENTS.

D. DEMONSTRATE ENTERING A ROOM.

XIX. SLING CARRY POSITIONS

A. MUZZLE UP - STRONG SIDE

1. SAFETY ON
2. STRONG SIDE CARRY
3. GRASP FOREARM WITH WEAK HAND IN FIRING POSITION
4. DISMOUNT, KEEPING MUZZLE UP
5. GRASP PISTOL GRIP WITH STRONG HAND
6. MOUNT IN A NORMAL MANNER
7. FIRE

B. MUZZLE DOWN - WEAK SIDE

1. SAFETY ON
2. WEAK SIDE CARRY
3. GRASP FOREARM WITH WEAK HAND
4. DISMOUNT
5. BRING MUZZLE FORWARD AND UP IN FRONT OF YOU
6. ROTATE WEAK HAND INTO FIRING POSITION
7. GRASP PISTOL GRIP WITH STRONG HAND
8. MOUNT IN NORMAL MANNER
9. FIRE

XX. SHOTGUN AMMUNITION - SHOTSHELL

- A. INSURE YOUR SHOTGUN AND AMMUNITION ARE COMPATIBLE.
- B. USE THE CORRECT AMMUNITION REFERENCED BY THE STAMPING ON THE BARREL OF YOUR SHOTGUN.
 1. INSPECT BARREL MARKINGS FOR PROPER GAUGE AND SHELL LENGTH.
 2. .12 GAUGE - 2 3/4" OR 3".
 3. .12 GAUGE - 2 3/4" WILL WORK IN 3" CHAMBER BUT NOT CONVERSELY.
- C. THERE ARE THREE BASIC TYPES OF CONVENTIONAL SHOTSHELL AMMO
 1. BIRDSHOT
 - A. LOADED PRIMARILY FOR THE HUNTING OF BIRDS.
 - B. THE LARGER THE BIRD HUNTED THE LARGER THE SHOT SIZE SHOULD BE.
 - C. ALSO USED FOR SKEET AND TRAP SHOOTING.
 - D. THE SMALLER THE SHOT SIZE IDENTIFICATION THE LARGER THE INDIVIDUAL PELLETS.
 2. BUCKSHOT - .12 GAUGE 2 3/4"
 - A. LOADED PRIMARILY FOR HUNTING OF LARGE GAME.
 - B. THE LARGER THE SIZE OF PELLETS THE FEWER THE PELLETS IN EACH ROUND.
 - C. .12 GAUGE 2 3/4" BUCKSHOT COMPARISON.

SHOT SIZE	PELLET CALIBER	NO. OF PELLETS
#4	.24	27
#1	.30	16
#0	.32	12
#00	.33	9
#000	.36	8

- D. THE MOST COMMON SIZE SHOT USED FOR L\N DUTY IS #00 BUCK. WHEN USED AS AN ANTI-PERSONNEL WEAPON, THE SHOTGUN WITH #00 BUCK IS AN EFFECTIVE MAN-STOPPER COMPARED WITH OTHER POLICE FIREARMS, AT CLOSE RANGES, NO OTHER POLICE ARMS MATCHES IT'S SHOCKING POWER.

3. SLUG. - .12 GAUGE 2 3\4" - 1 OUNCE

- A. THE .12 GAUGE SLUG IS A SINGLE LEAD PELLET OF APPROXIMATELY .72 CALIBER, WHICH MEANS IT IS NEARLY TWICE THE DIAMETER OF THE .38 SPECIAL.
- B. THE PROJECTILE LEAVES THE MUZZLE AT A VELOCITY OF 1560 FEET PER SECOND, MORE THAN TWICE THE SPEED OF THE .38 SPECIAL SERVICE LOAD.
- C. THE SLUG HAS 2365 FOOT POUNDS OF ENERGY AT THE MUZZLE, MORE THAN TEN TIMES THE ENERGY OF THE .38 SPECIAL SERVICE LOAD.
- D. WITH SPECIAL SIGHTS IT IS EASY FOR THE AVERAGE MARKSMAN TO KEEP ALL HITS WITHIN A 10 " CIRCLE AT 75 YARDS.
- E. WHEN SHOOTING SLUGS WITH A STANDARD BEAD FRONT SIGHT AIM 8 TO 10 INCHES LOWER THAN WHERE YOU WANT THE SHOT PLACED AT 25 YARDS.

XXI. AMMUNITION MANAGEMENT

- A. KNOW WHERE YOUR EXTRA AMMO IS LOCATED.
- B. DO NOT MIX SLUGS AND BUCKSHOT IN SAME AREA - KEEP SEPARATE
- C. IF POSSIBLE COLOR CODE SLUGS\BUCKSHOT BY USING DIFFERENT MANUFACTURERS.

EXAMPLE:

SLUGS - RED (FEDERAL \ WINCHESTER)

BUCKSHOT - GREEN (REMINGTON)

- D. ROUND IN CHAMBER CAN BE VISUALLY CHECKED FOR COLOR.
- E. LOAD WEAPON WITH ONE TYPE OF AMMO ONLY (SLUGS OR BUCK) KEEPING THE OTHER READILY AVAILABLE.
- F. DO NOT LOAD MAGAZINE TO FULL CAPACITY. ALLOW FOR SELECTION OF PROPER ROUNDS.

XXII. MAINTENANCE \ STORAGE - INSURE WEAPON IS UNLOADED - SAFETY ON.

MAKE SURE ALL SURFACES ARE COATED WITH A THIN FILM OF OIL. AFTER BEING EXPOSED TO DAMP WEATHER, MAKE CERTAIN FIREARM IS UNLOADED, THEN WIPE BORE AND METAL SURFACES THOROUGHLY AND APPLY A NEW FILM OF OIL. SHOULD YOU GUN BE EXPOSED TO HEAVY RAIN, SNOW OR SALT SPRAY, A MORE THOROUGHLY CLEANING IS REQUIRED. PARTIAL DISASSEMBLY OF THE FIREARM IS NECESSARY. FOR EXTENDED PERIODS OF STORAGE, APPLY GREASE TO THE BORE AND OTHER METAL PARTS AND STORE IN A DRY PLACE. DO NOT PLUG BARREL OR STORE IN A FABRIC LINED CASE WHICH WILL ABSORB LUBRICANTS FROM THE FIREARM. BEFORE USE AFTER STORAGE A PREVENTIVE INSPECTION SHOULD BE PERFORMED BEFORE GOING INTO THE FIELD.

XXIII. CLOSING

- A. SHOTGUN EXPERTS AROUND THE WORLD, WHO HAVE LONG MAINTAINED THAT THE PUMP-ACTION SHOTGUNS ARE MORE RELIABLE THAN SEMI-AUTOS ARE HAVING TO RE-THINK THEIR POSITIONS. BECAUSE THE BENELLI DESIGN IS FASTER, AND DEFINITELY MORE RELIABLE THAN GAS-OPERATED SEMI-AUTOS, THEY ARE NOW BEING INCORPORATED INTO POLICE AND MILITARY ARSENALS NOT ONLY IN THE U.S., BUT IN MANY OTHER COUNTRIES AROUND THE GLOBE.

XXIV. RANGE SAFETY.

A. NOT ON FIRING LINE.

1. SAFETY IN THE ON OR SAFE POSITION.
2. ACTION OPEN.
3. VISUALLY AND PHYSICALLY CHECK CHAMBER AND MAGAZINE FOR AMMO.
4. MUZZLE POINTED IN A SAFE DIRECTION AT ALL TIMES.
5. NO PERSONAL AMMO.

B. ON FIRING LINE.

1. WEAPON POINTED DOWN RANGE.
2. LISTEN TO INSTRUCTIONS.
3. LOAD ONLY ON COMMAND.
4. NO PERSONAL AMMO - AMMO WILL BE ISSUED.
5. EYE PROTECTION.
6. EAR PROTECTION.
7. CLEAR AND UNLOAD WEAPON BEFORE LEAVING FIRING LINE.

Tavole parti di ricambio - Benelli part list - Nomenclature des pièces de rechange

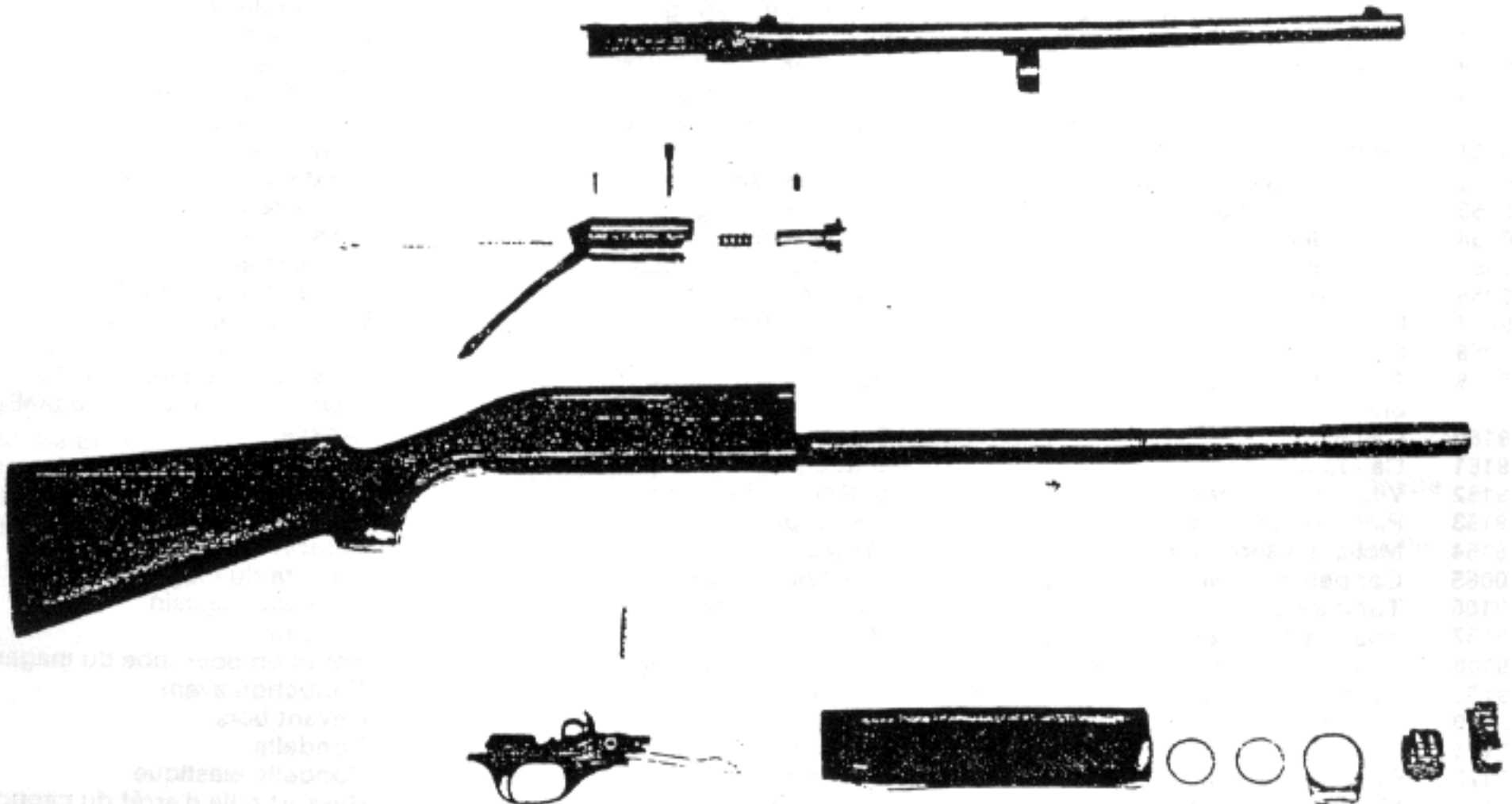
Per ordinare i pezzi di ricambio è indispensabile precisare il calibro, il modello e la matricola del fucile.

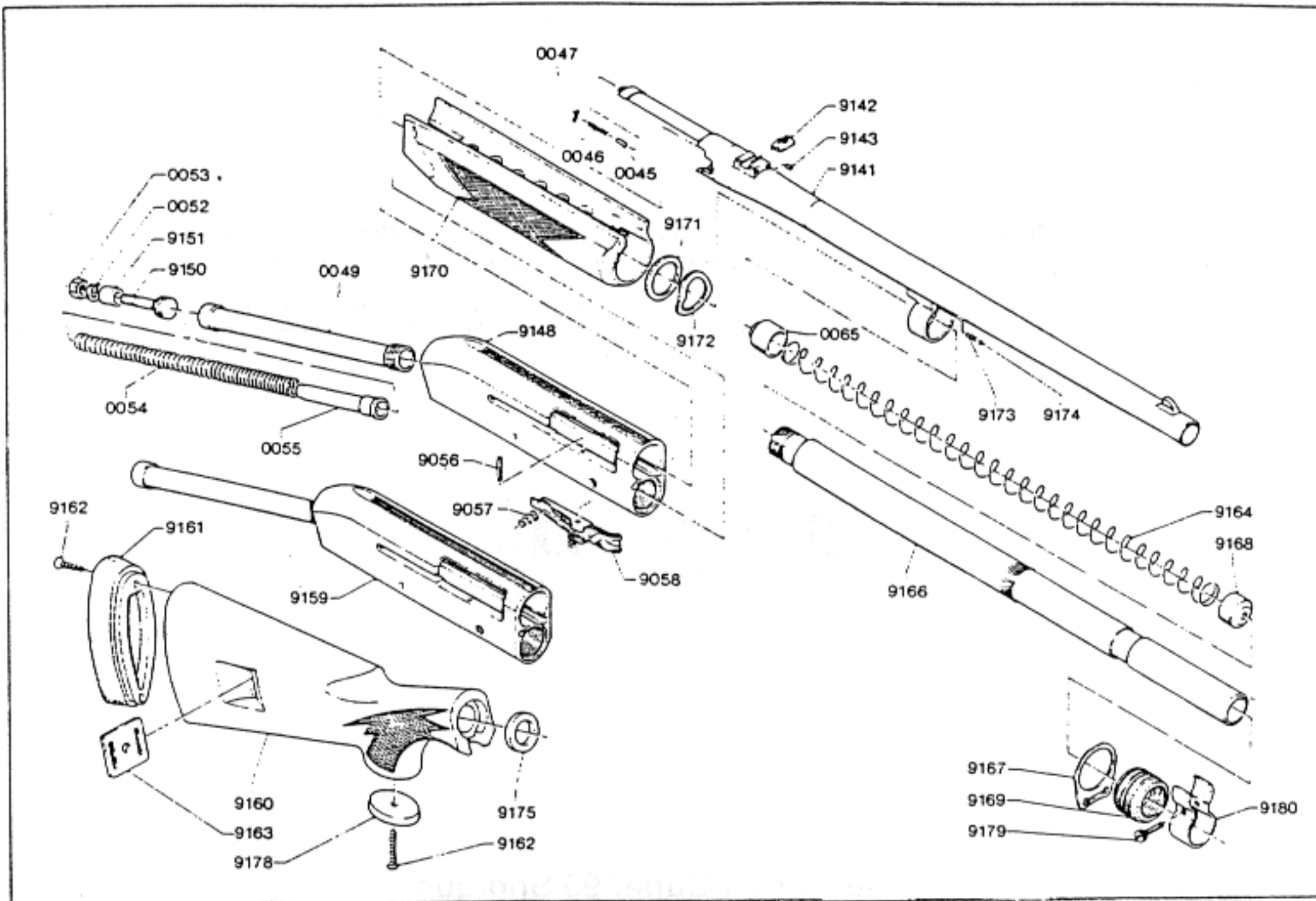
To order the spare parts you must tell us exactly the gauge, the model and the serial number of your shotgun.

Pour commander les pièces de rechange est indispensable préciser le calibre, le modèle et la matricule du fusil.

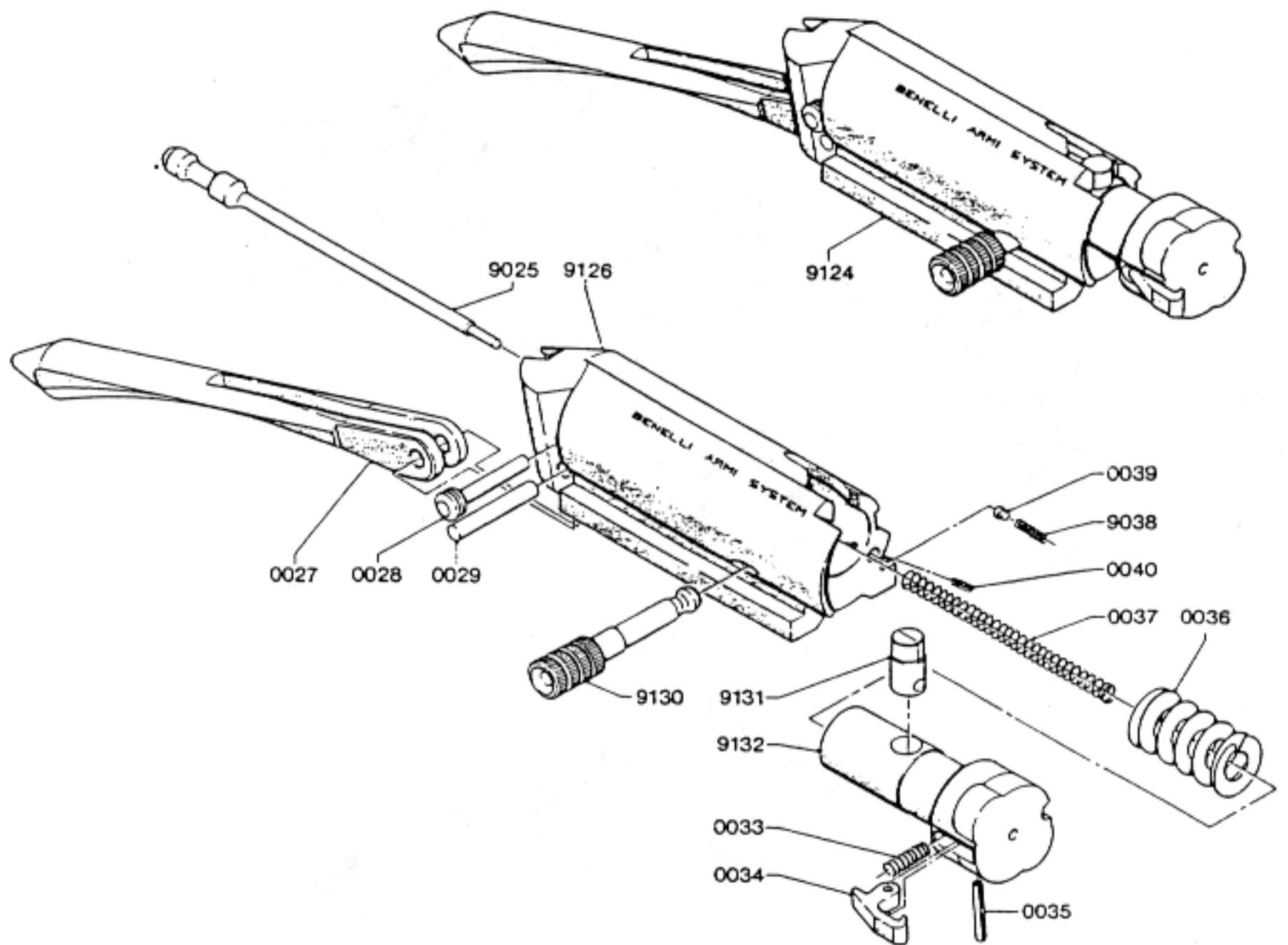


Benelli M1 Super 90 Shotgun

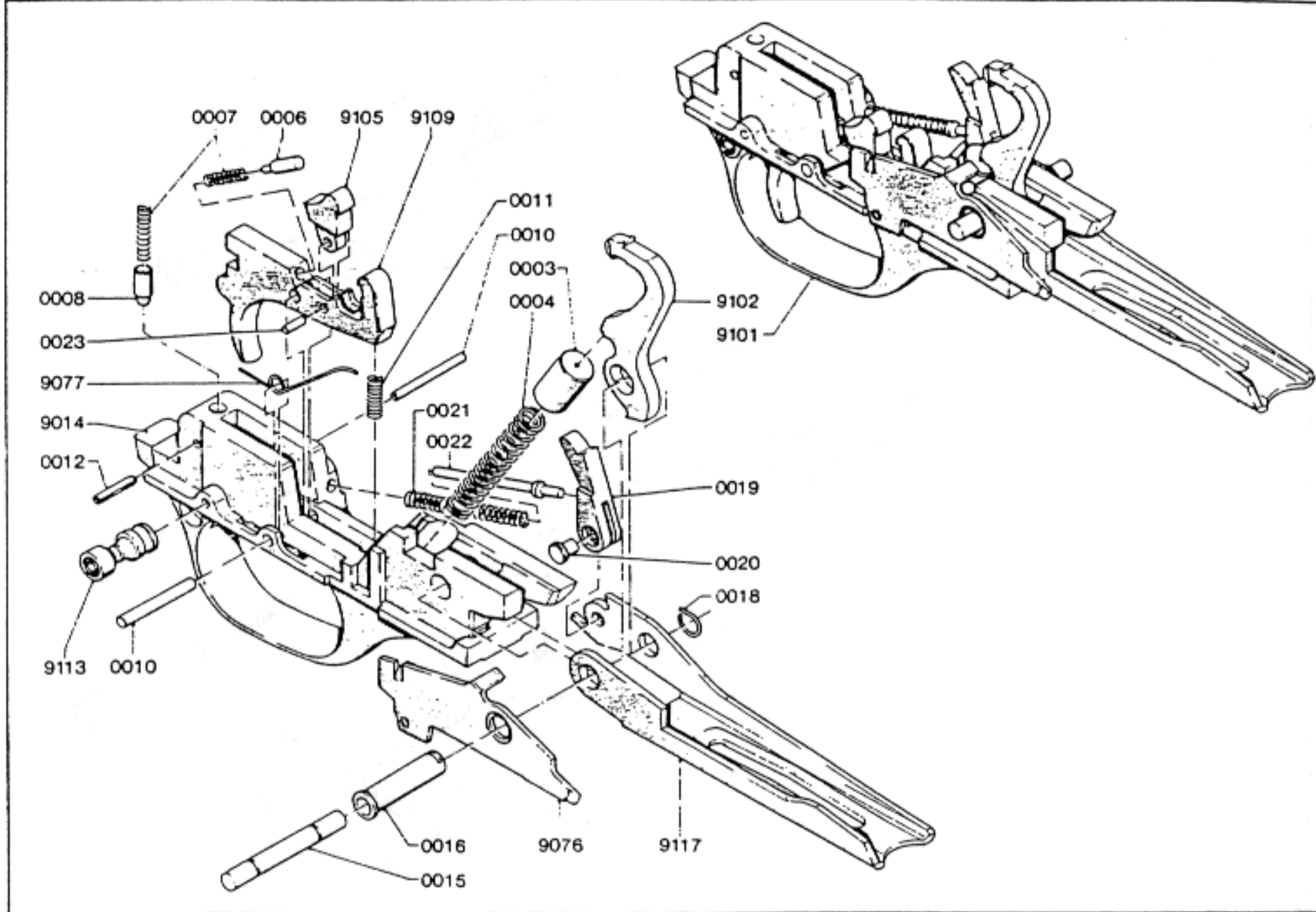




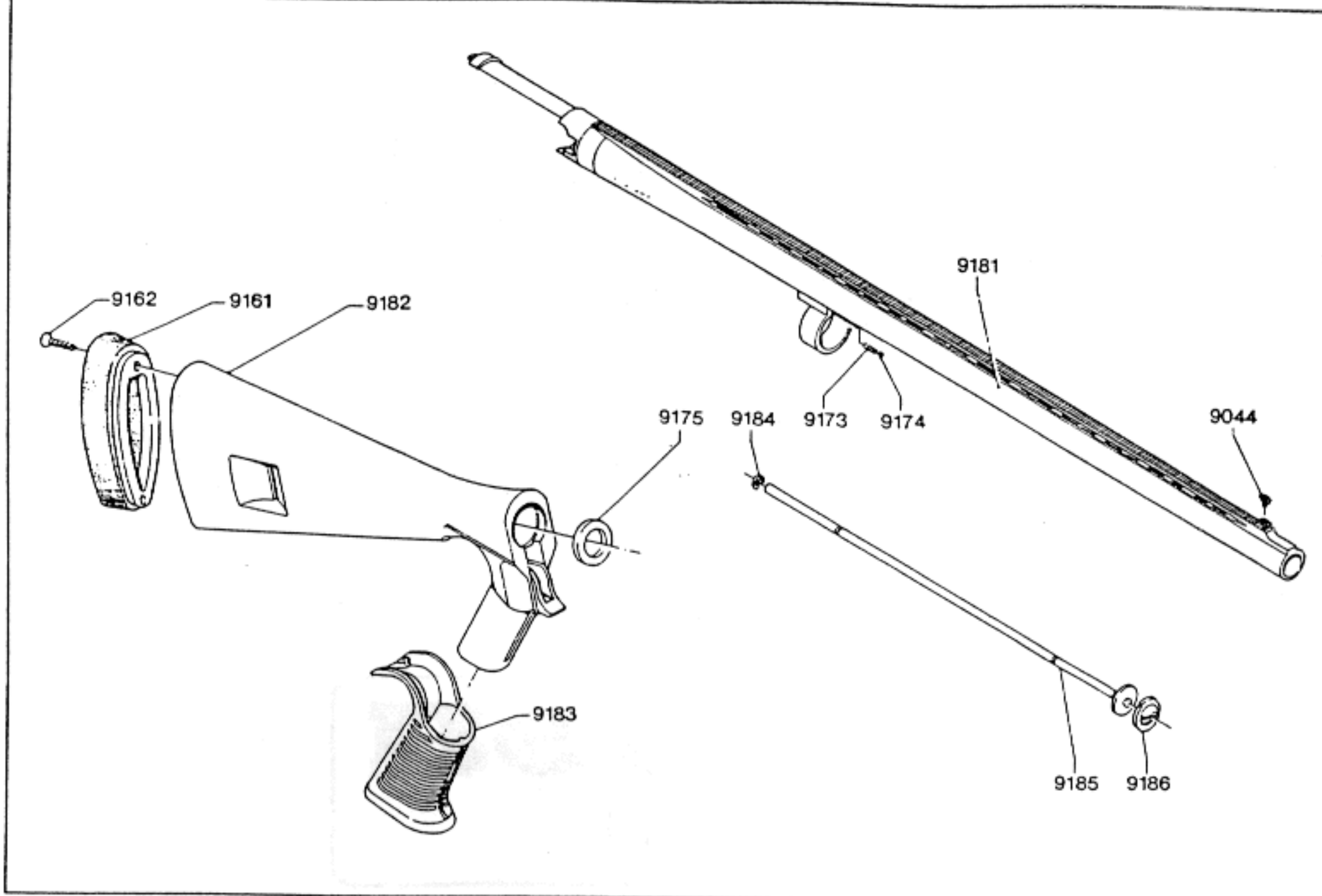
9141	Gruppo canna - culatta	Breech and barrel assy	Ensemble de culasse et canon
9142	Tacca di mira	Front sight	Cran de mire
9143	Vite per tacca di mira	Front sight screw	Vis cran de mire
0045	Perno espulsore	Ejector pin	Axe d'éjecteur
0046	Molla per perno espulsore	Ejector pin spring	Ressort de l'axe d'éjecteur
0047	Spina elastica	Ejector spring retaining pin	Goupille elastique
9148	Carcassa	Receiver	Carcasse
0049	Tubo guida molla biella	Recoil spring tube	Tube guide de ressort de biella
9150	Vite per dado serraggio calcio	Stock retaining nut screw	Vis pour écrou de la crosse
9151	Distanziale per calcio	Spacer	Entretoise
0052	Rosetta elastica per calcio	Elastic washer	Rondelle elastica de la crosse
0053	Dado per serraggio calcio	Stock retaining nut	Ecrou de la crosse
0054	Molla della biella	Recoil spring	Ressort de biella
0055	Guida molla biella	Recoil spring plunger	Guide ressort de biella
9056	Spina elast. fiss. leva fermo cartuccia	Carrier latch pin	Axe du levier d'arrêt de cartouche
9057	Leva fermo cartuccia	Carrier latch	Levier d'arrêt cartouche
9058	Molla richiamo leva fermo cartuccia	Carrier latch spring	Ressort du levier d'arrêt cartouche
9159	Assieme carcassa - tubo guida molla biella	Receiver assembly	Ensemble de carcasse et tube guide ressort de la biella
9160	Calcio	Stock	Crosse
9161	Calciolo	Butt plate	Plaque de couche
9162	Vite autofilettante	Self-threaded screw	Vis auto-taradeuse
9163	Piastrino portabretelle	Swivel plate	Grenadière
9164	Molla del serbatoio	Magazine spring	Ressort du magasin
0065	Cappello spingi cartuccia	Magazine follower	Cuvette du magasin
9166	Tubo serbatoio	Magazine tube	Tube du magasin
9167	Anello portabretelle sul cappello	Ring	Anneau
9168	Tappo per tubo serbatoio	Magazine tube plug	Bouchon pour tube du magasin
9169	Cappello fissaggio astina	Fore-end cap	Capuchon avant
9170	Astina	Fore-end	Devant bois
9171	Rosetta piana	Washer	Rondelle
9172	Rosetta elastica	Spring washer	Rondelle elastica
9173	Molla per sfera posizion. cappello	Cap retaining ball spring	Ressort bille d'arrêt du capuchon
9174	Sfera posizionamento cappello	Cap retaining ball	Bille d'arrêt du capuchon
9175	Anello guida calcio	Ring	Bague
9178	Tappo per calcio a pistola	Plug	Bouchon
9179	Vite fissaggio anello unione canna tubo serbatoio	Barrel retaining screw	Vis de fixation anneau d'assemblage canon
9180	Anello unione canna tubo serbatoio	Barrel-magazine tube retaining ring	Anneau d'ass. canon-tube magasin



9124	Gruppo otturatore	Bolt assembly	Obturbateur compl.
9025	Percussore	Firing pin	Percuteur
9126	Otturatore	Bolt	Obturbateur
0027	Biella	Link	Bielle
0028	Perno arresto percussore	Firing pin retaining pin	Goupille d'arrêt percuteur
0029	Perno rotazione biella	Link pin	Goupille de bielle
9130	Manetta di armamento	Bolt handle	Manette d'armament
9131	Perno rotazione testa di chiusura	Locking head pin	Axe de la tête de fermeture
9132	Testa di chiusura	Locking head	Tête de fermeture
0033	Molla dell'estrattore	Extractor spring	Ressort d'extracteur
0034	Estrattore	Extractor	Extracteur
0035	Spina elastica	Extractor pin	Goupille d'extracteur
0036	Molla rinculo otturatore	Inertia spring	Ressort de rappel
0037	Molla del percussore	Firing pin spring	Ressort du percuteur
9038	Molla ritegno manetta	Bolt handle retaining spring	Ressort de maintien de manette
0039	Perno ritegno manetta	Bolt handle pin	Axe de manette
0040	Spina elastica	Bolt handle spring retaining pin	Goupille de ressort de manette



9101	Gruppo guardia	Trigger group assembly	Sous-garde, compl.
9102	Cane	Hammer	Chien
0003	Boccola guida molla cane	Hammer spring cap	Cuvette de ressort du chien
0004	Molla del cane	Hammer spring	Ressort du chien
9105	Dente agganciamento di sicurezza	Disconnecter	Dent d'accrochage
0006	Guida molla dente agganciamento di sicurezza	Disconnecter plunger	Guide de ressort dent d'accrochage
0007	Molla sicura a mano e dente agganciamento di sicurezza	Safety plunger spring	Ressort de sûreté et dent d'accrochage
0008	Pistoncino guida molla sicura a mano	Hand safety plunger	Piston de ressort de sûreté
9109	Grilletto	Trigger	Détente
0010	Spina per grilletto e battuta grilletto	Trigger pin	Axe du détente
0011	Molla richiamo grilletto	Trigger spring	Ressort rappel de détente
0012	Spina elastica	Safety spring retaining pin	Goupille d'arrêt du ressort de sûreté
9113	Bottone sicura a mano	Hand safety	Bouton de sûreté
9014	Guardia	Trigger guard	Sous-garde
0015	Perno fissaggio guardia	Trigger guard pin	Axe de sous-garde
0016	Bussola per perno fissaggio guardia	Trigger pin bush	Bague de l'axe de sous-garde
9117	Elevatore	Carrier	Élévateur
0018	Molla per perno fissaggio guardia	Trigger guard pin spring	Ressort de l'axe de sous-garde
0019	Dente arresto otturatore	Breech bolt latch	Dent d'arrêt d'obturateur
0020	Perno per dente arresto otturatore	Breech bolt latch pin	Axe de dent d'arrêt d'obturateur
0021	Molla selezionatore elevatore	Carrier spring	Ressort d'élevateur
0022	Perno guida dente arresto otturatore	Carrier spring plunger	Guide de la dent d'arrêt obturateur
0023	Perno per dente agganciamento di sicurezza	Disconnecter pin	Axe de la dent d'accrochage
9076	Leva discesa cartuccia	Cartridge drop lever	Levier de montée de cartouche
9077	Molla leva discesa cartuccia	Cartridge drop lever spring	Ressort du levier de montée de cartouche



Optional

- 9044 Mirino
- 9161 Calciolo
- 9162 Vite autofilettante
- 9173 Molla per sfera posizion. cappellotto
- 9174 Sfera posizionamento cappellotto
- 9175 Anello guida calcio
- 9181 Canna caccia
- 9182 Calcio con impugnatura a pistola
- 9183 Impugnatura per calcio
- 9184 Anello di sicurezza
- 9185 Riduttore a tre colpi
- 9186 Anello fissaggio riduttore

Optional accessories

- Front sight
- Butt plate
- Self-threaded screw
- Cap retaining ball spring
- Cap retaining ball
- Ring
- Chamber
- Pistol-grip stock
- Grip
- Circlip
- Three round limiter
- Retaining ring

Options

- Guidon
- Plaque de couche
- Vis auto-taradeuse
- Ressort bille d'arrêt du capuchon
- Bille d'arrêt du capuchon
- Anneau
- Canon
- Crosse à poignée pistolet
- Poignée
- Jonc d'arrêt
- Réducteur à trois coups
- Anneau de fixation réducteur